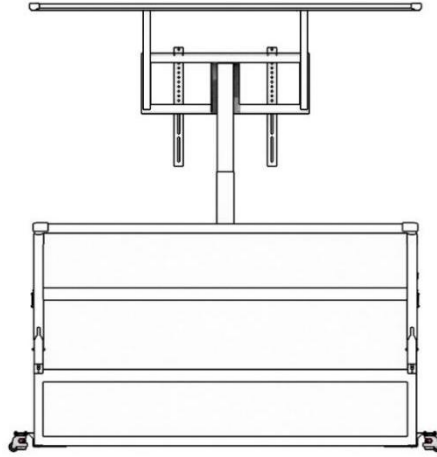


# Sylvox Outdoor TV Cabinet

## User Manual



## Preface

Thank you for purchasing the Sylvox Outdoor TV Cabinet! Before using the product, please carefully read this manual and follow the steps provided. We hope the Sylvox Outdoor TV Cabinet brings more beauty and convenience to your life.

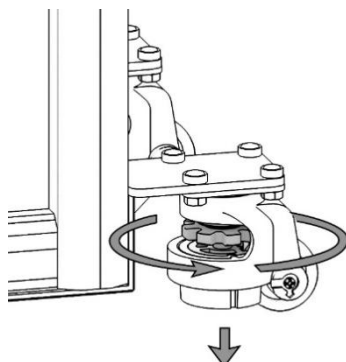
## Installation Steps

### Step 1: Unbox the Packaging

Unbox the carton and remove all packaging materials.

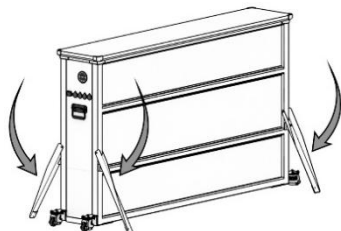
Set the packaging materials aside and recycle them in an environmentally friendly manner.

### Step 2: Lock the Casters



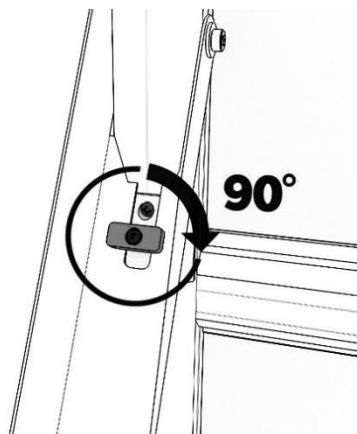
If you do not want the TV cabinet to move freely, rotate the red, toothed part of the caster. This will allow the black cylindrical part to drop down, supporting the caster off the ground, thereby locking it in place. Ensure all four casters are locked before use.

### Step 3: Open the Folding Support Legs



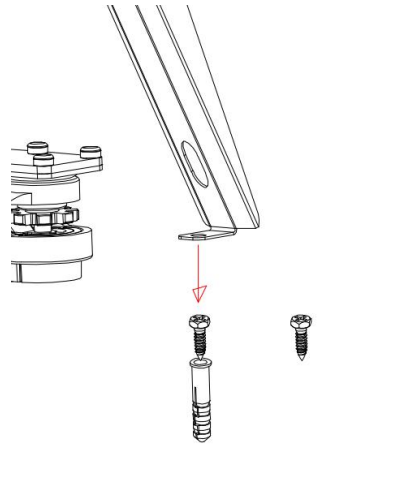
This TV cabinet is equipped with four folding support legs designed to enhance stability. Open all four support legs and ensure each firmly touches the ground.

### Step 4: Lock the Support Legs



Rotate each plastic latch 90° to lock the four support legs in place.

## Step 5: Secure the Cabinet to the Ground (Optional but Recommended)



For enhanced stability and anti-tip protection, secure the cabinet to the ground according to your floor type.

### **For wood flooring:**

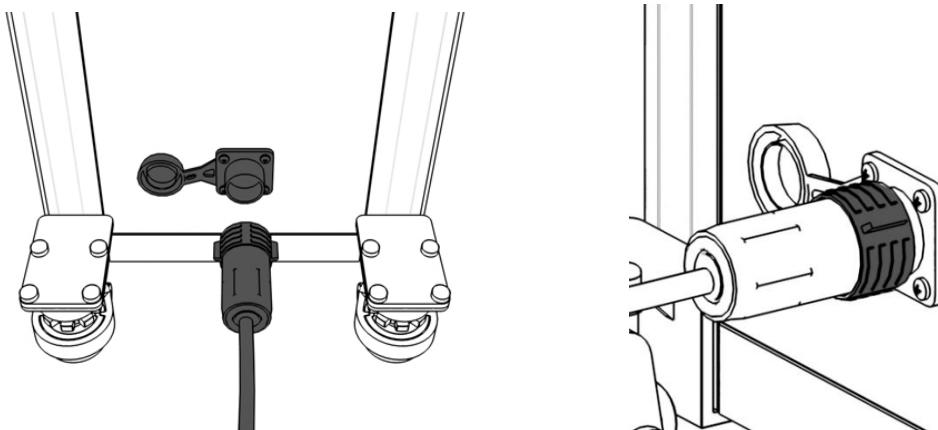
Align the bracket holes with the floor and use the supplied screws to fasten the brackets directly into the wood surface.

### **For concrete flooring:**

Mark the mounting positions first. Drill holes with a diameter of 8 mm and a depth of 40 mm. Insert the supplied expansion anchors into the holes, then fasten the brackets securely using the screws.

Ensure all four mounting points are securely fastened before use.

## Step 6: Connect the Power Supply

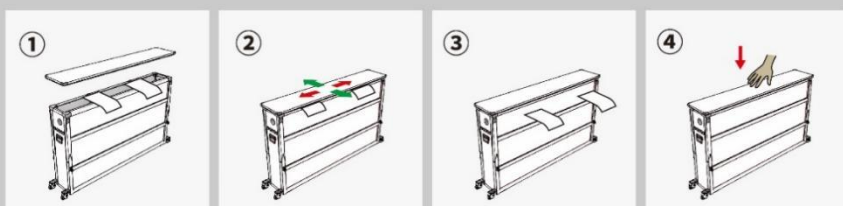


Remove the power cord from the packaging. Plug one end into a wall outlet and the other end into the power port at the bottom of the cabinet. You will hear a "click" as it locks in place, and the control panel light will turn on, indicating that the power connection is successful.

## Step 7: Attach the Cover

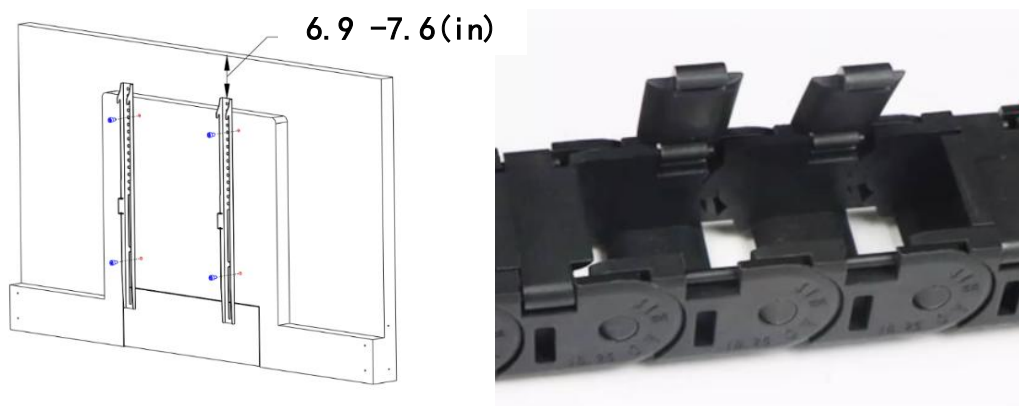
### Instructions for installing the cover plate:

- **Step 1:** Place two pieces of A4 paper at the positions shown in the diagram.
- **Step 2:** Put on the cover plate and move it back and forth, left and right, so that the edges of the cover plate can exactly wrap around the cabinet below.
- **Step 3:** Remove the two pieces of A4 paper.
- **Step 4:** Press firmly on the upper cover plate until the hook-and-loop fasteners on the cover plate fully adhere to those on the TV stand.



Follow the instructions to securely attach the cover to the TV bracket.

## Step 8: Install the TV



**8.1 Install the Mounting Bracket:** Remove one of the TV mounting brackets and place it on the back of the TV. Ensure the bracket is oriented as shown in the diagram, with the top edge of the bracket approximately 6.9–7.6 inches from the top edge of the TV.

**8.2 Secure the Mounting Bracket:** Based on the previous step, use screws to secure the mounting bracket to the TV, following the diagram's instructions.

**8.3 Hang the TV:** Hang the TV onto the bracket. If necessary, loosen the screws on the mounting bracket to make the process easier. If there is interference with the top cover during installation, remove it and reattach it as described in Step 7 after the TV is installed.

### Tips:

The cable carrier is in an open position to allow easy routing of low-voltage cables. It should be closed afterward.

# Remote Control Instructions

∧: Up button

RST: Reset button

∨: Down button

1: Memory Position Save button 1

2: Memory Position Save button 2

Up and Down Key Operations

- ◆ Click the "∧" key to automatically move the tabletop upward until it reaches its highest point.
- ◆ Click the "∨" key to automatically move the tabletop downward until it reaches its lowest point.
- ◆ Press any other button during operation to pause the ascent or descent.

Position Storage/Memory Position Operation

◆ Position Storage: You can store two memory points. To save a position, press and hold the "1 / 2" key for five seconds to save the position.

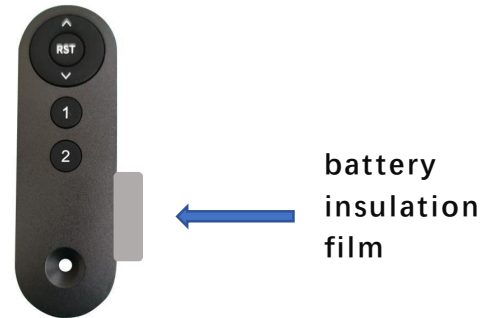
◆ Memory Position Operation: Click the "1/2" button to move the TV up or down to the memorized height. During operation, any button can be pressed to stop the operation.

Zero Position Reset

◆ Press and hold "RST" for 10 seconds, then release and press the down button to enter reset mode. The desktop will automatically move down to its lowest position, then rise to the top and then down to the bottom, completing the reset process.

When using the remote control, please remove the plastic tab on the side of the remote.

**Note:** The remote control is **not waterproof**. Please keep it away from water or moisture to avoid damage. Before using the remote, **remove the battery insulation film**.



## Compatible TV Sizes & Specifications

This cabinet is compatible with 65" and 75" TVs that meet the following requirements:

- Maximum TV weight: 100 lbs
- Maximum TV thickness: 4 inches
- Maximum TV width: 67.3 inches
- Maximum TV height: 40 inches

## Safety Warning

1. **TV Compatibility:** Use only 65"/75" TVs under 100 lbs. Exceeding limits may cause tipping or damage.
2. **Placement:** For better stability, we recommend positioning the cabinet against a wall on a hard, level surface such as concrete or wood.
3. **Installation:** Lock all four wheels and fully secure all four support legs as instructed—an unsecured cabinet can tip over.
4. **Strong Winds:** At wind level 4 or above, retract the TV into the cabinet immediately.
5. **Thunderstorms:** Do not use the TV cabinet during thunderstorms. Unplug the power cord to prevent lightning strikes.

6. **Idle Safety:** Always retract the TV into the cabinet when not in use or when stepping away to prevent sudden gusts from tipping it over.
7. **Moving the Cabinet:** When moving the TV cabinet, ensure the TV is retracted into the cabinet, and at least two people should cooperate to avoid tipping the cabinet.
8. **Usage:** Do not lean on, push, or forcefully move the cabinet to avoid damage.

Thank you for choosing Sylvox products. We hope you enjoy using your new TV cabinet! If you have any questions, feel free to contact our customer service.