

## Installation Instructions

**S40MCMAO**

**Compatible TV Screen: 42"-55"**

**Weight Capacity: 40KG/88LBS**

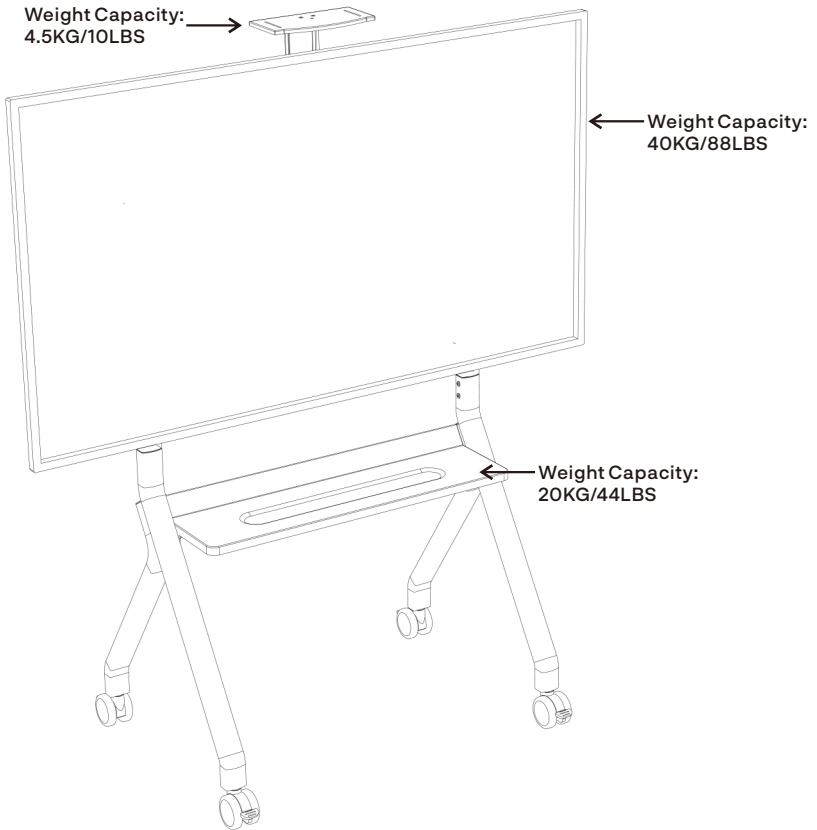
**VESA: 100×100 - 700×500mm**

Our company reserves the right to make modifications and changes.  
Please do not make any modifications or changes to the installation instructions without formal notification from our company.

## Contents

Table of Contents, Product Weight Capacity Diagram .....	2
Warning .....	3
Bill of Materials .....	4
<b>Assembly and Installation</b>	
1.Installing the Wheels .....	5
2.Mounting tray .....	6
3.Install the pillar .....	7
4.Install the hanging board .....	8
5.Install the TV mount .....	9
6.Install camera components .....	10
7.Product Technical Specifications .....	11

★ If you need to accommodate larger or smaller TV sizes, please choose based on the VESA mounting holes on the back of the TV and the weight of the TV.










## Warning!

Warning! Improper assembly or installation can lead to serious injury, death, or property damage. Please read the instructions and warning information carefully before beginning assembly or installation.

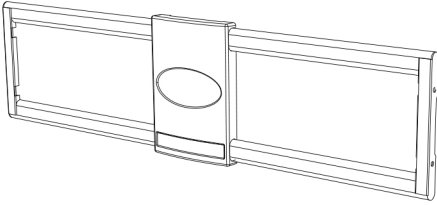
- If you do not understand the instructions or have any questions or concerns, please contact a qualified local installer.
- Do not assemble or install the product if any parts are damaged or missing. If you need replacement parts or assistance, please contact your local dealer.
- This product is suitable for 42"-55" LCD/Plasma screens, with a weight capacity of 40KG/88LBS.
- Do not use this product for any purpose other than its intended design.
- The manufacturer disclaims any legal responsibility for damages or injuries resulting from the following situations: modifications to the product, improper installation, installation exceeding the specified weight capacity, or misuse that causes wear or damage to the product.
- If children or teenagers climb on the audiovisual furniture due to toys, objects, remote controls, etc., placed on it, the furniture may topple, resulting in serious injury or even death.
- Changing the installation location of the audiovisual furniture or reinstalling it in a place that cannot support its weight may cause the furniture to topple, resulting in serious injury or even death.
- It is normal for some parts to show rust when used outdoors.
- Always set up the rolling cart on a flat, level surface.
- Before using, ensure all wheels are locked to prevent accidental movement.
- During strong winds or extreme weather, move the cart indoors.
- ★ In case of any discrepancies between the illustrations and the actual product, please refer to the actual product.

## Instructions

						
Tighten direction	Loosen direction	Screwdriver	Tape measure	Adjustment	Manual	Hex wrench

# Bill of materials

1X



1X



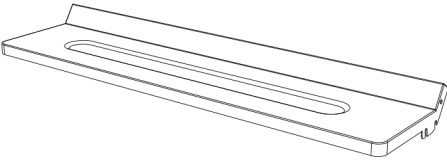
Left

1X

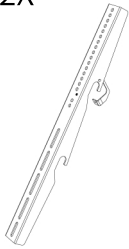


Right

1X



2X



1X



Left

1X



Right

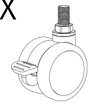
1X



1X



4X



A1

1X



A2

1X



B1

10X



M8×20mm

C1

4X



M8×20mm

C2

4X



φ8×1.5mm

D1

2X



M6×10mm

D2

4X



M5×10mm

E1

2X



M5×18mm

F1

4X



M8×25mm

F2

4X



M6×25mm

G1

4X



M5×25mm

G2

4X



M4×25mm

H1

4X



φ15×φ8.2×10mm

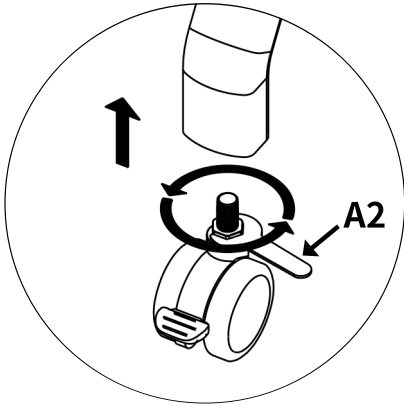
H2

4X

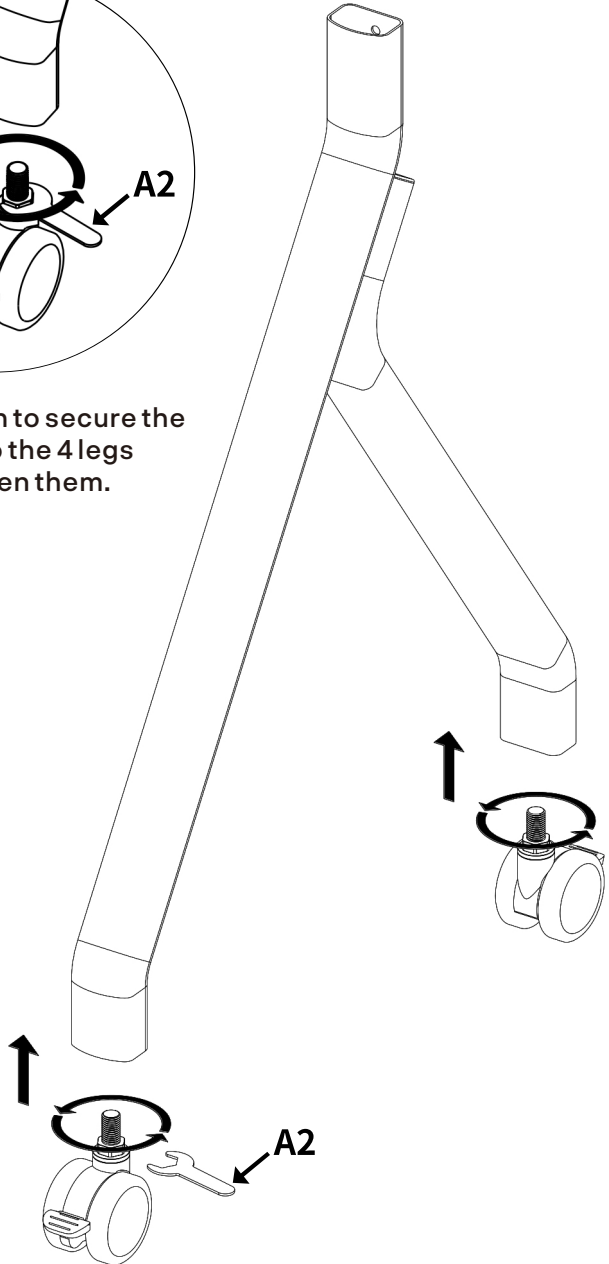


φ5×1mm

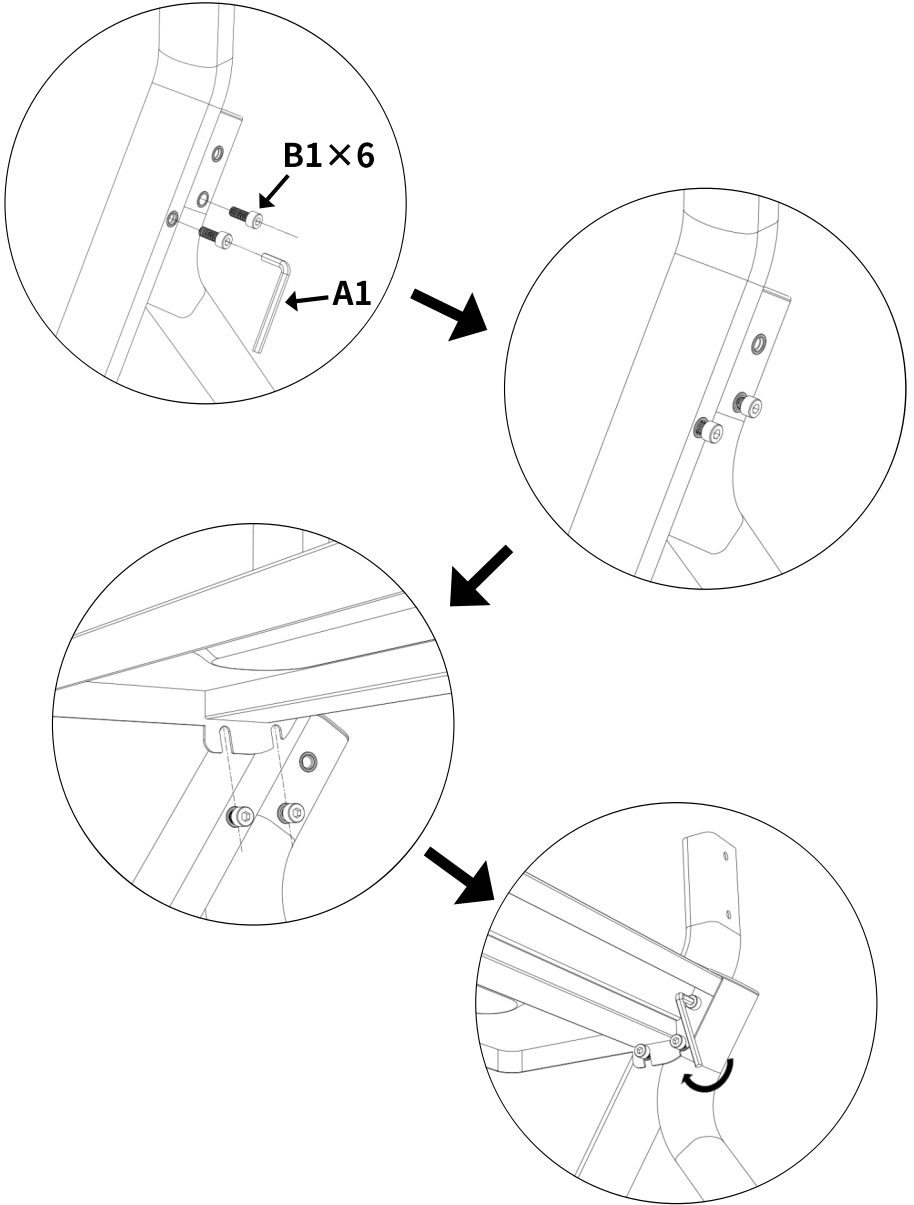
# 1. Install the wheels



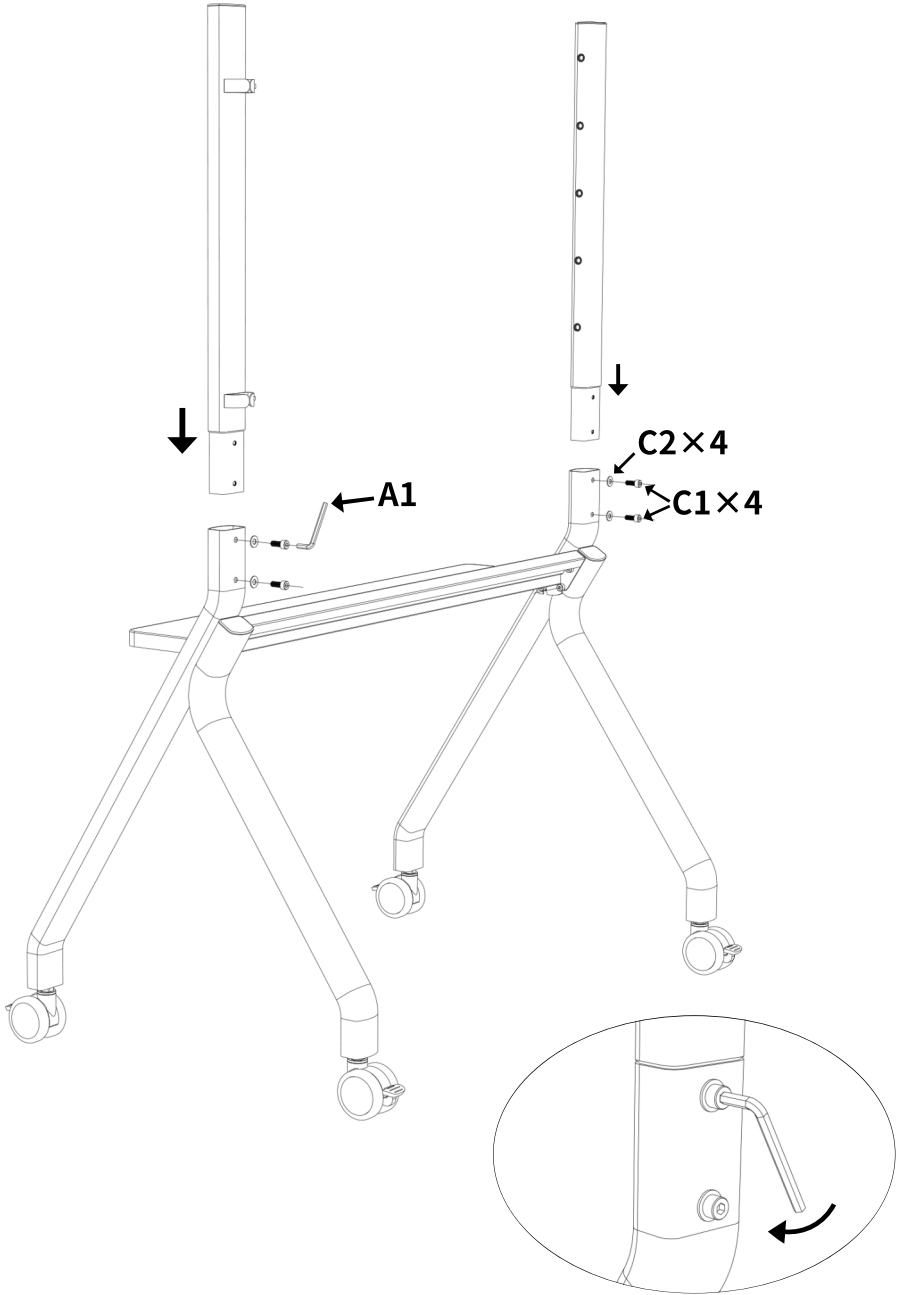
Use the wrench to secure the 4 wheels to the 4 legs and tighten them.



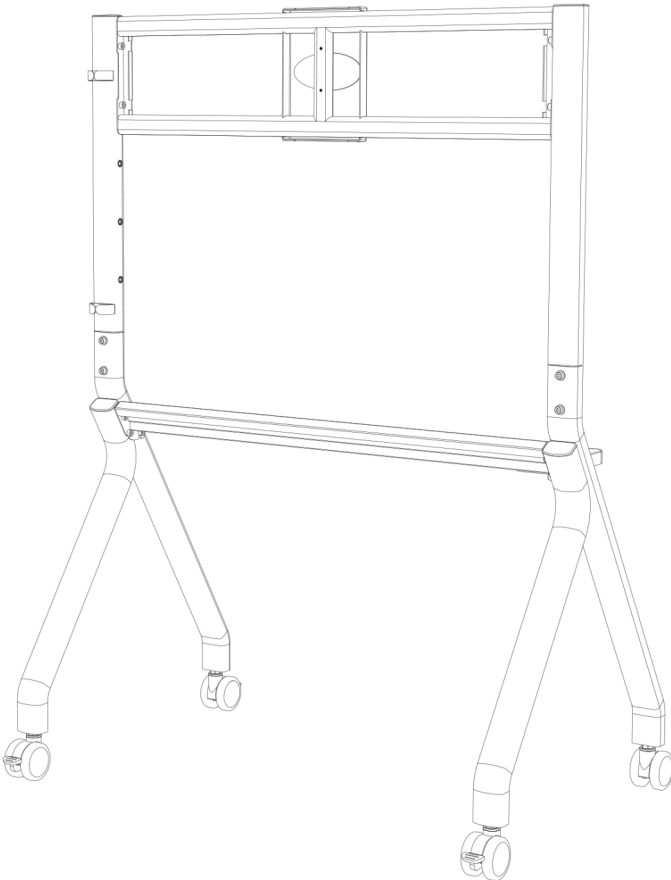
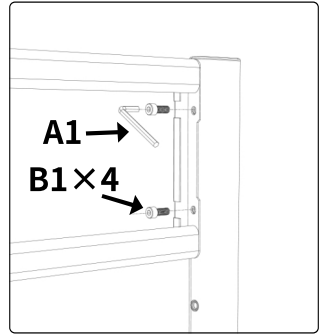
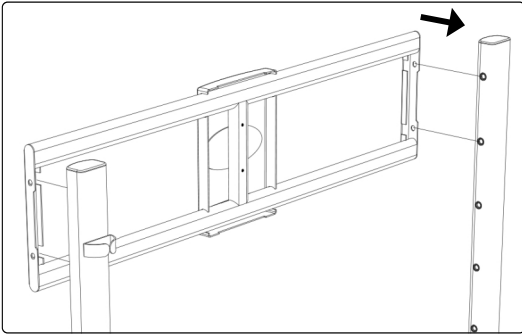
## 2. Mounting tray



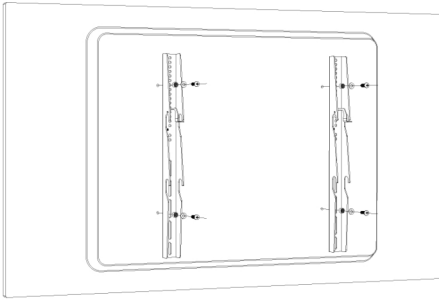
### 3. Install the pillar



### 4. Install the hanging board

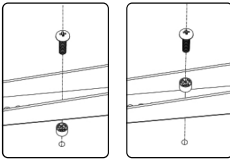


# 5. Install the TV mount

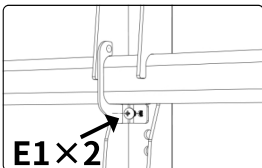
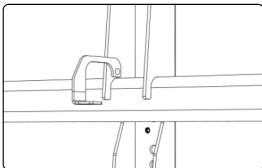
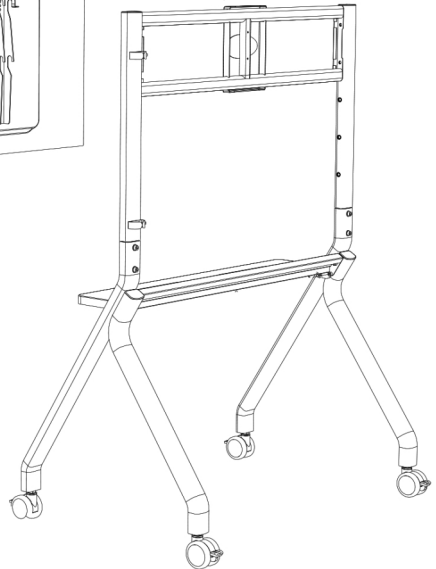
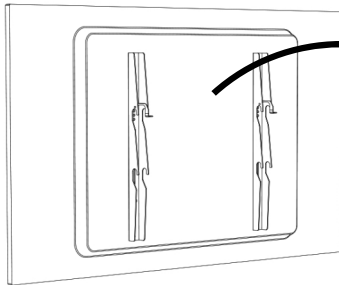
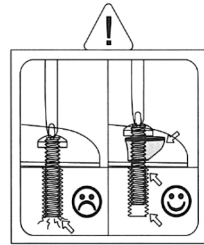
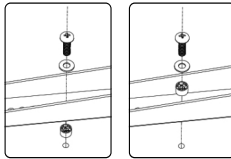


**Note:**  
When installing the TV, be sure to use the height-raising pad to prevent potential damage to your TV equipment from screws that may be too long when tightened.

F1/F2 uses H1

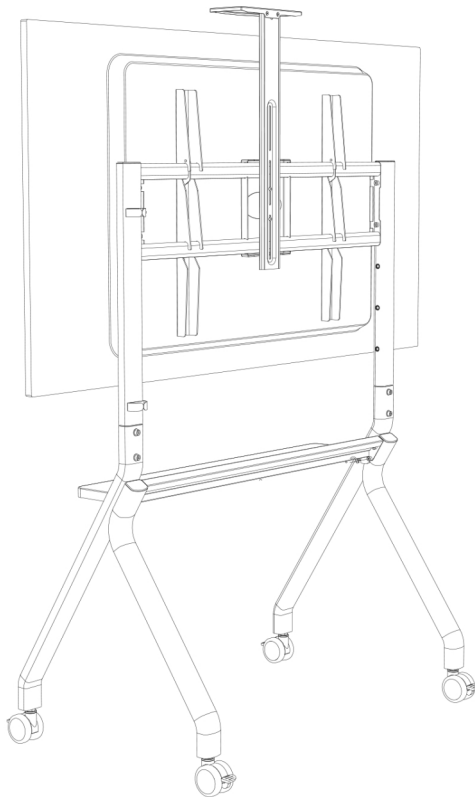
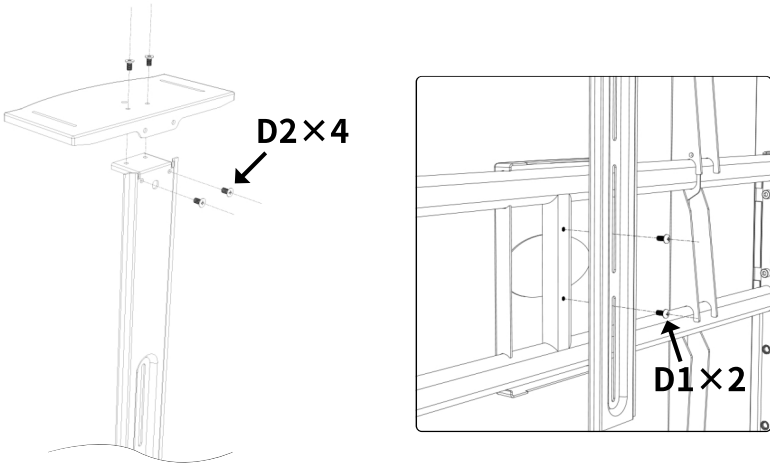


G1/G2 uses H1 and H2

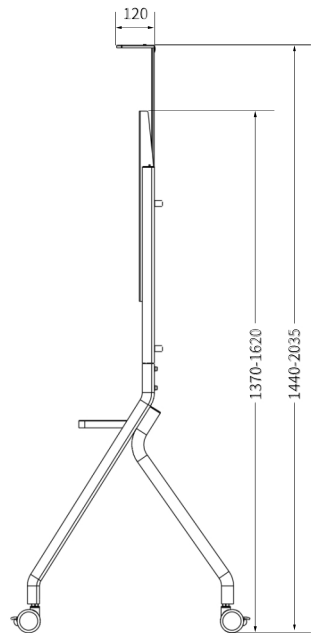
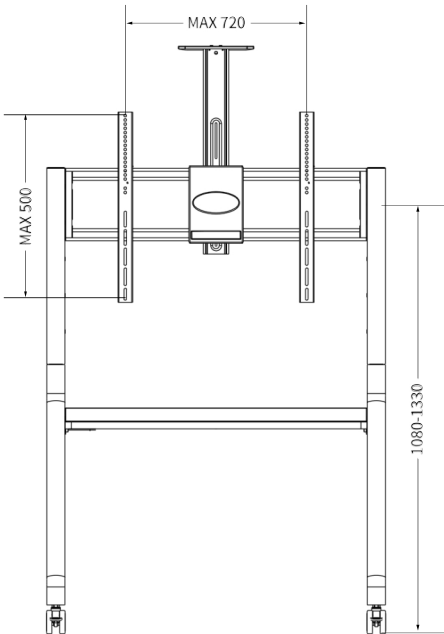
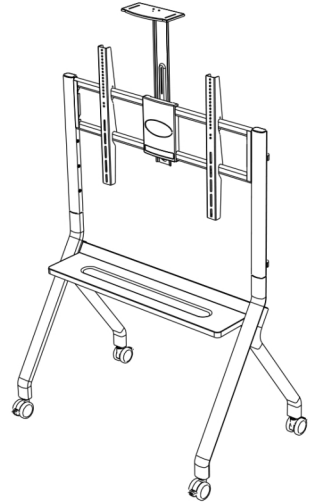
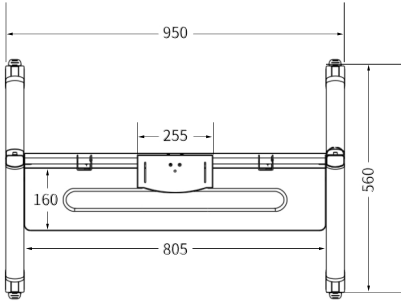


**Warning:**  
Be sure to tighten the screws!

## 6. Install camera components



# 7. Product technical specifications



Sylvan

Feel Good, Live Outdoors