

Installation Instructions

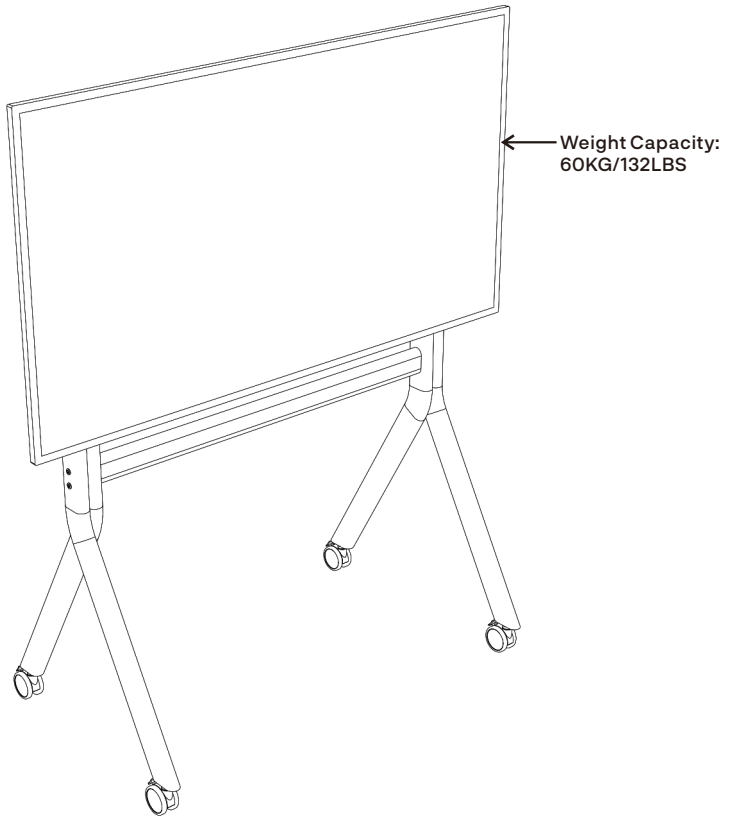
S50MCM AO
Compatible TV Screen: 65"-75"
Weight Capacity: 60KG/132LBS
VESA: 200×200 - 1200×600mm

Our company reserves the right to make modifications and changes.
Please do not make any modifications or changes to the installation instructions without formal notification from our company.

Contents

Table of Contents, Product Weight Capacity Diagram	2
Warning	3
Material List	4
Assembly and Installation	
1.Installing the Wheels	5
2.Assembling the Legs and Lower Beam	6
3.Assembling the Columns and Upper Beam	7
4.Assembling the Columns and Legs	8
5.Installing the TV Mounting Bracket	9
6.Installing the Rear Storage Box	10
7.Product Technical Specifications	11

★ If you need to accommodate larger or smaller TV sizes, please choose based on the VESA mounting holes on the back of the TV and the weight of the TV.




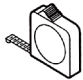





Warning!

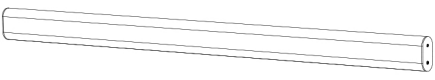
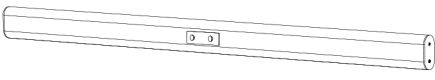
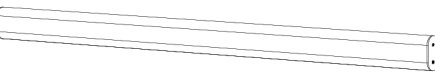


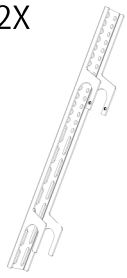


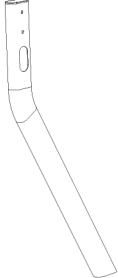
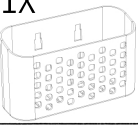




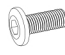






Warning! Improper assembly or installation can lead to serious injury, death, or property damage. Please read the instructions and warning information carefully before beginning assembly or installation.

- If you do not understand the instructions or have any questions or concerns, please contact a qualified local installer.
- Do not assemble or install the product if any parts are damaged or missing. If you need replacement parts or assistance, please contact your local dealer.
- This product is suitable for 65"-75" LCD/Plasma screens, with a weight capacity of 60KG/132LBS.
- Do not use this product for any purpose other than its intended design.
- The manufacturer disclaims any legal responsibility for damages or injuries resulting from the following situations: modifications to the product, improper installation, installation exceeding the specified weight capacity, or misuse that causes wear or damage to the product.
- If children or teenagers climb on the audiovisual furniture due to toys, objects, remote controls, etc., placed on it, the furniture may topple, resulting in serious injury or even death.
- Changing the installation location of the audiovisual furniture or reinstalling it in a place that cannot support its weight may cause the furniture to topple, resulting in serious injury or even death.
- It is normal for some parts to show rust when used outdoors.
- Always set up the rolling cart on a flat, level surface.
- Before using, ensure all wheels are locked to prevent accidental movement.
- During strong winds or extreme weather, move the cart indoors.
- ★ In case of any discrepancies between the illustrations and the actual product, please refer to the actual product.

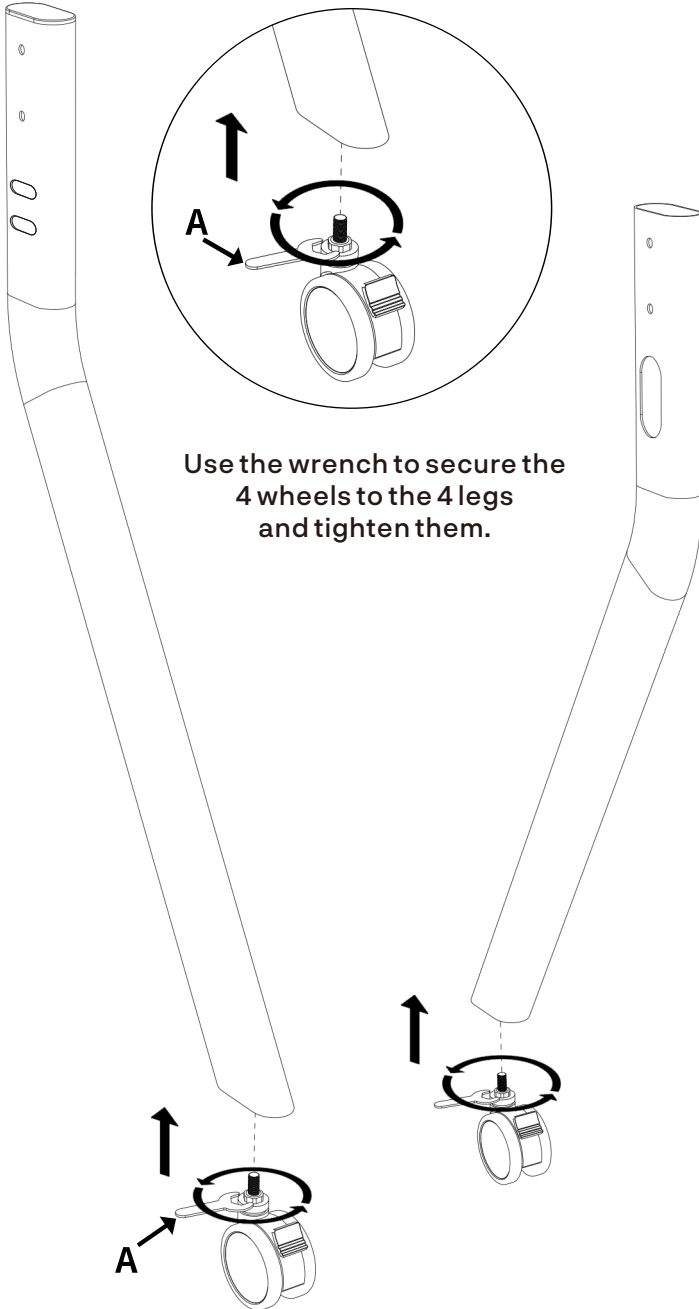
Instructions

						
Tighten direction	Loosen direction	Screwdriver	Tape measure	Adjustment	Manual	Hex wrench

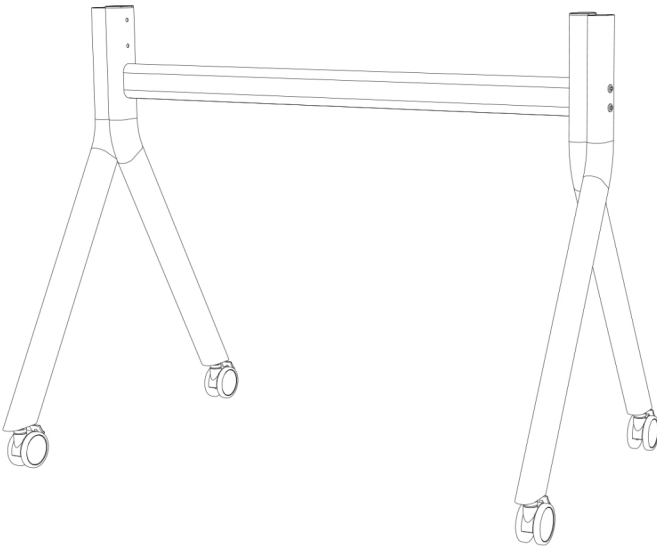
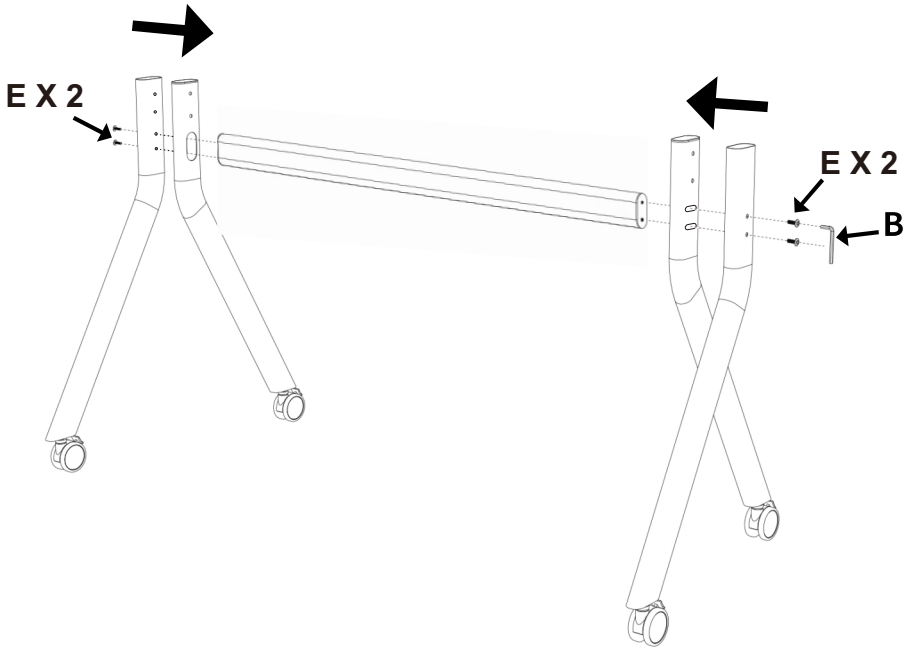
Bill of materials

1X 		1X 		1X 		1X  Left		1X  Right	
2X 		1X  Left		1X  Right		2X 		1X 	
A 1X 		B 1X 		C1 2X 		C2 2X  M6×20mm		D 8X  M8×20mm	
E 8X  M8×45mm		F 4X  M10×25mm		G1 4X  M8×25mm		G2 4X  M6×25mm		H1 4X  φ15×φ8.2×10mm	
						H2 4X  φ8×φ18×1.2mm			

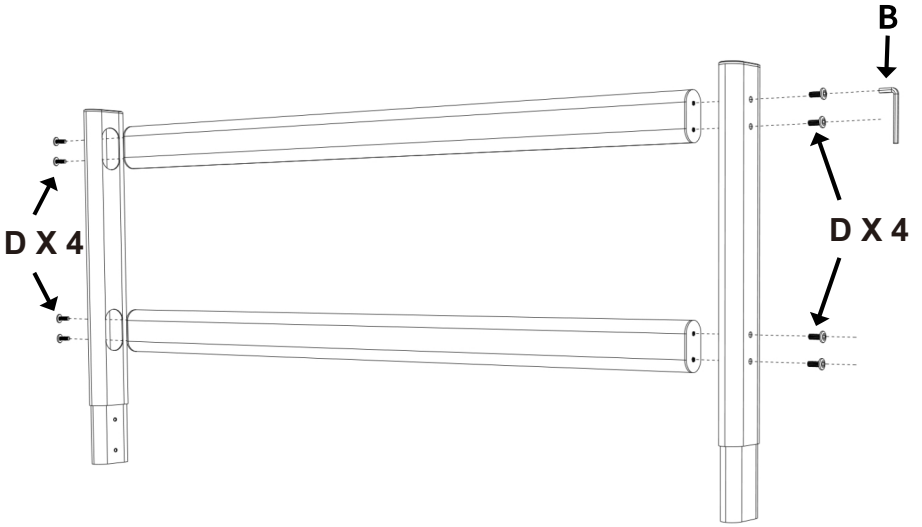
1. Install the wheels



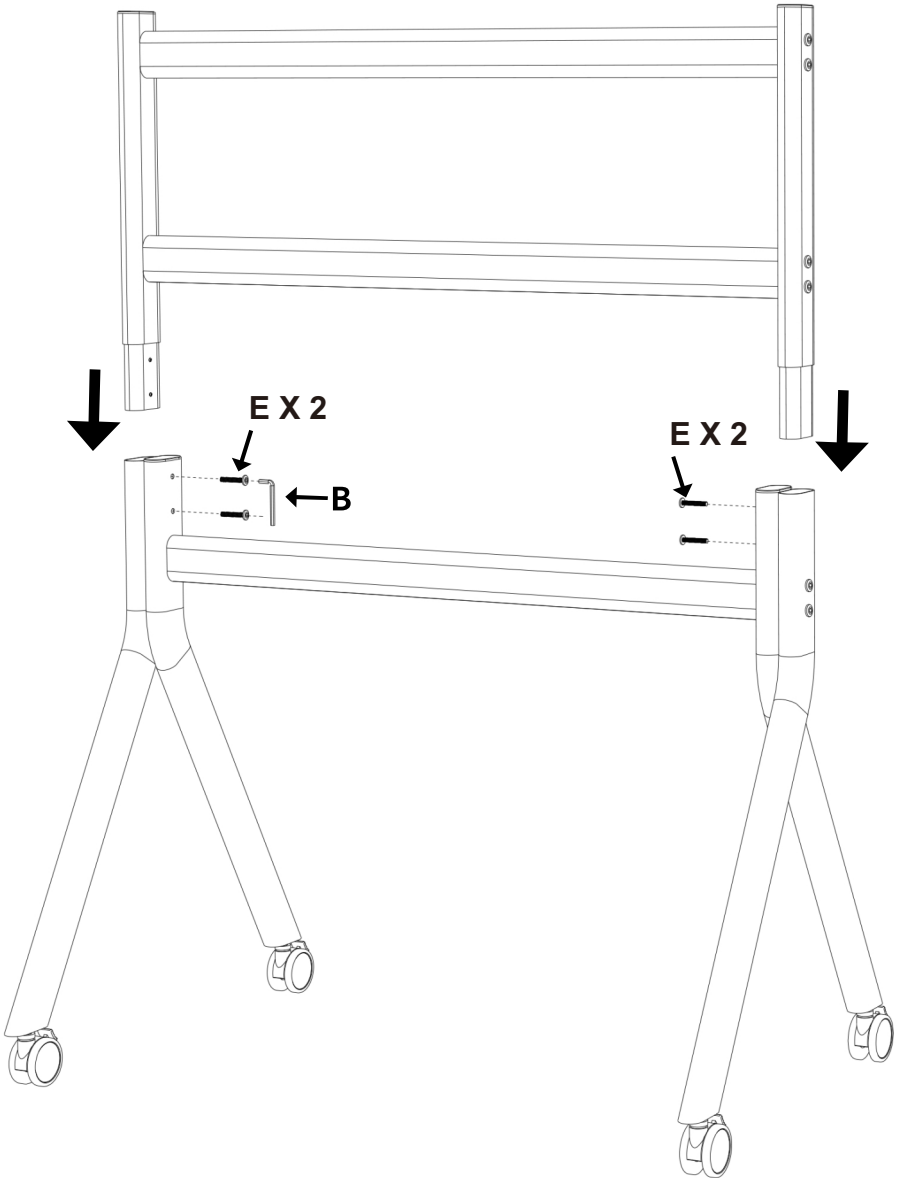
2. Assemble the legs with the lower cross beam.



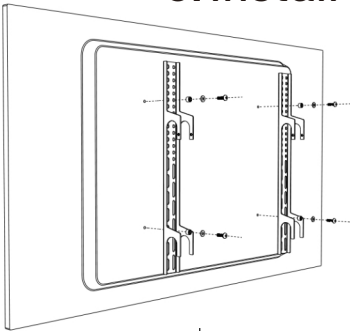
3. Assemble the upper cross beam.



4. Assemble the columns with the legs.

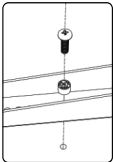
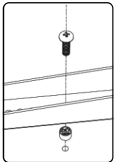


5. Install the TV mount

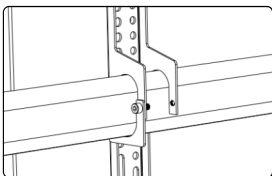
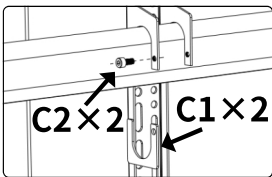
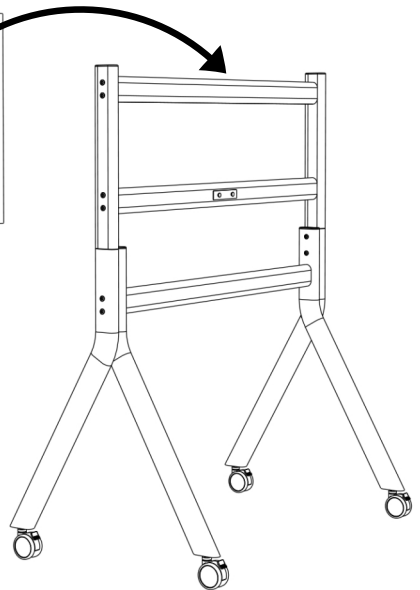
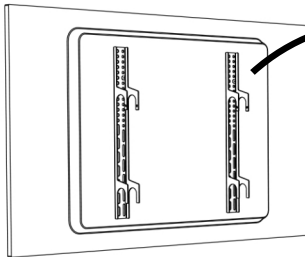
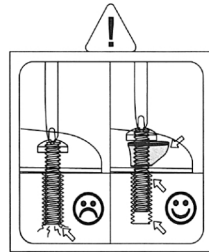
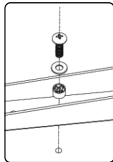
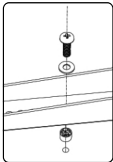


Note:
When installing the TV, be sure to use the height-raising pad to prevent potential damage to your TV equipment from screws that may be too long when tightened.

G1/G2 uses H2

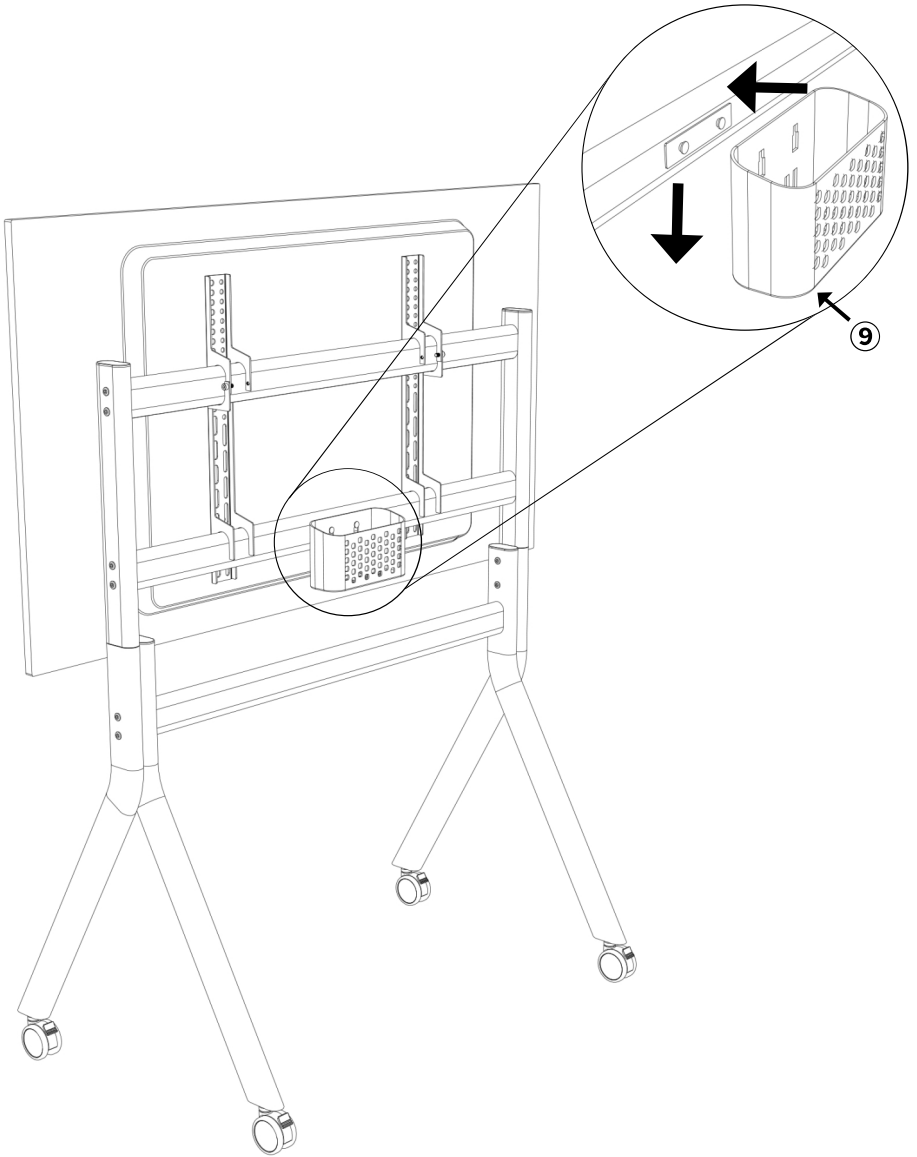


G1/G2 uses H1 and H2

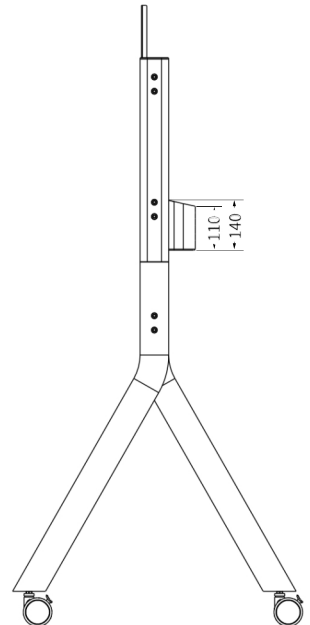
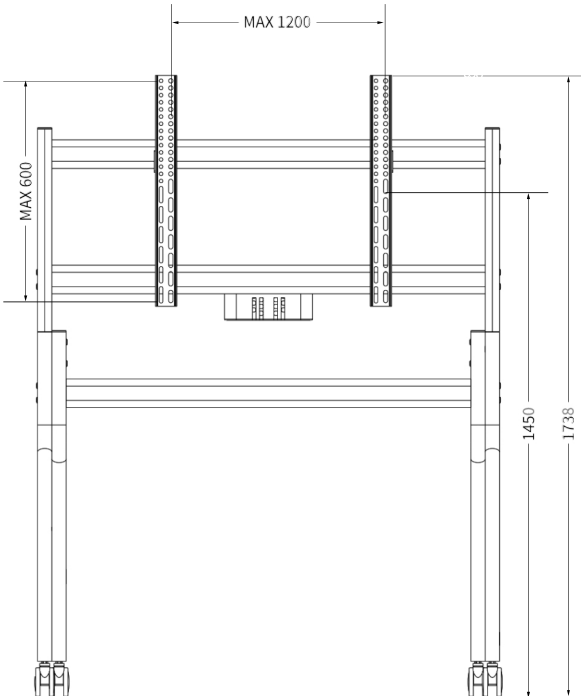
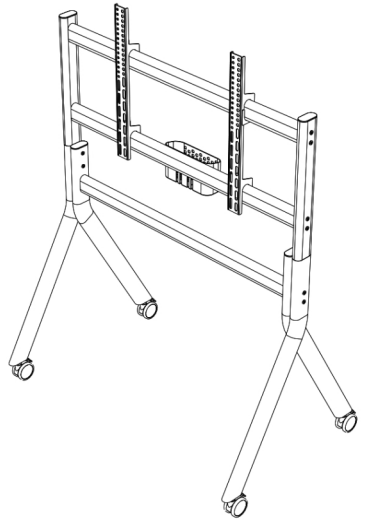
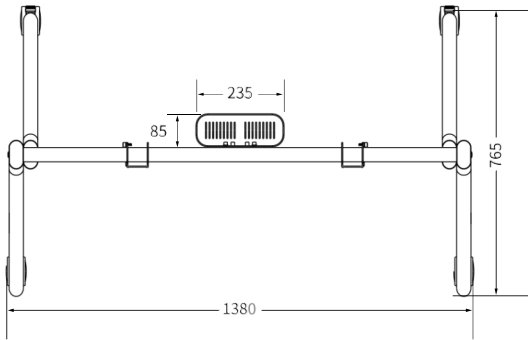


Warning:
Be sure to tighten the screws!

6. Install the rear storage box



7. Product technical specifications



Sylvan